

Ultra-compact construction machine with excellent accessibility to narrow spaces and stability

# R06ECO



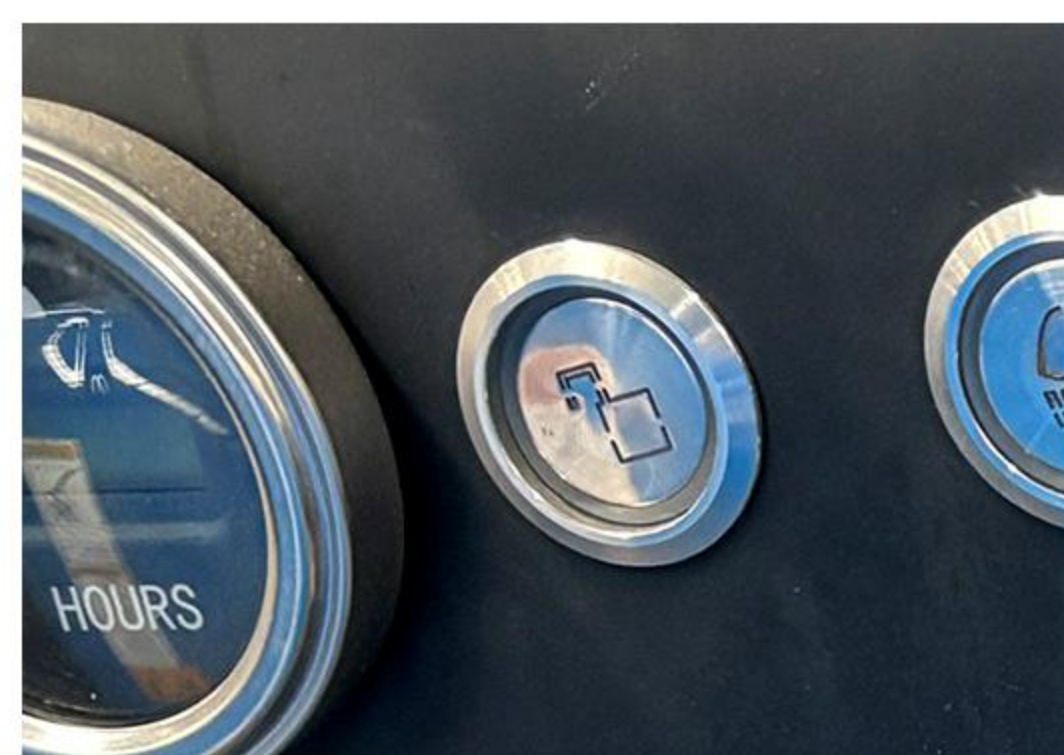
The feature of **R06ECO**

# Features and Functions



**1 Front-mounted control lever**

The front-mounted operating lever ensures ample space for the feet and around the driver's seat.



**2 Operation lock button**

Machine operation is only permitted when the operating lock is open, enhancing machine safety and preventing accidental operation.



**3 Fully openable bonnet**

Completely destructible, it is convenient to change the fuel system and the fuel system in daily life.



**4 Cast drive wheel**

Forged drive wheels with a hemispherical structure distribute stress concentration and have a longer service life.



**5 Anti-slip foot**

Effectively prevents drivers from slipping and ensures physical stability during operation.



**6 Light logo**

It serves as a warning, making nighttime work safer.



**7 Display Instrument**

It can display the machine's operating time and parameters such as machine temperature.



**8 LED Light**

It is low heat generating and vibration resistant, and comes standard with an LED light.



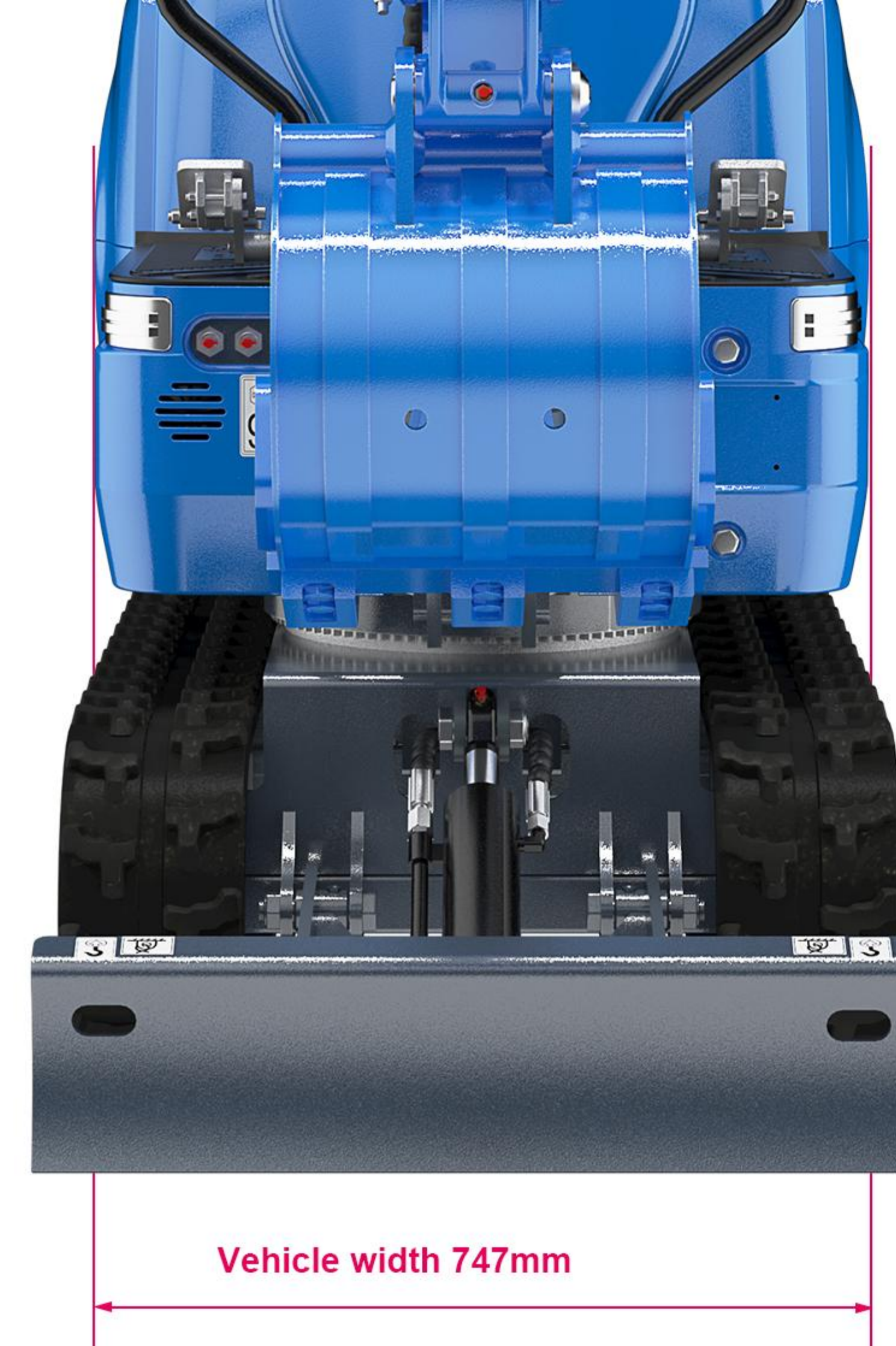
**9 Rear boom cylinder**

You can work without worrying about damaging the boom cylinder when scooping large stones or concrete pieces with the bucket, loading them into a dump truck, or using an on-board breaker.





High performance of **ROBECO**  
**ULTIMATE ACCESSIBILITY  
TO NARROW SPACES**



Vehicle width 747mm

### Compact Body

Compact size. With a width of only 747mm, it can operate in confined spaces such as narrow alleys, indoor buildings, and urban corners. Examples include pipeline renovations in old residential areas and interior decoration work in shopping malls—scenes where large equipment cannot access, allowing it to efficiently complete tasks. The bulldozer blade has been reinforced with ribs for increased strength and lifespan; grease holes have been added to the joint for easier lubrication.

Made of high-strength steel, it is wear-resistant and impact-resistant.



### Engineering rubber tracks

It is ground-friendly, highly protective, provides a smooth ride, low noise, minimal vibration, is lightweight, highly maneuverable, easy to maintain, and has a longer service life under certain operating conditions.



### Can be excavated in narrow spaces

By swinging the work machine, it is possible to excavate in narrow spaces and near walls.

Boom swing angle (right): 70°  
Boom swing angle (left): 70°



High performance of **RO6ECO**

## Reliable excavation performance



### Wide working range

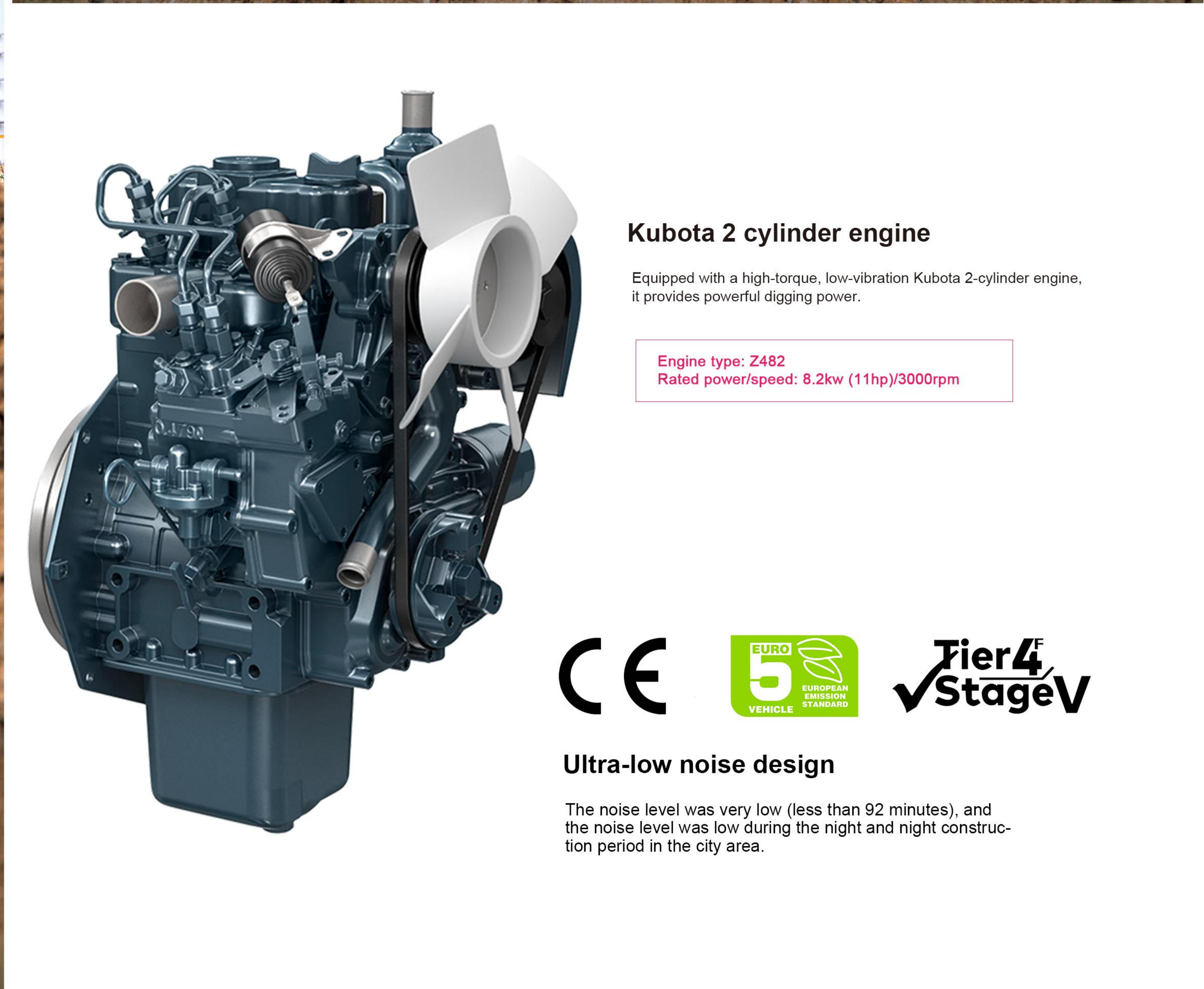
Despite its compact size (weighing just 747 kg), it offers powerful digging performance and a wide working range. It makes digging and loading soil onto trucks easy.

Maximum digging radius

**2565MM**

Maximum excavator depth

**1001MM**



### Kubota 2 cylinder engine

Equipped with a high-torque, low-vibration Kubota 2-cylinder engine, it provides powerful digging power.

Engine type: Z482

Rated power/speed: 8.2kw (11hp)/3000rpm



### Ultra-low noise design

The noise level was very low (less than 92 minutes), and the noise level was low during the night and night construction period in the city area.

## Safety and security design



### Full-Opening Hood & Hood Grip

The fully-opening hood opens wide to the rear. Routine inspections and part replacements of the engine and fuel system are easy.



### Butter tension

It can easily overcome the enormous rigidity of the tracks, providing strong and stable tension to ensure that the tracks will not be too loose under various heavy-duty conditions.



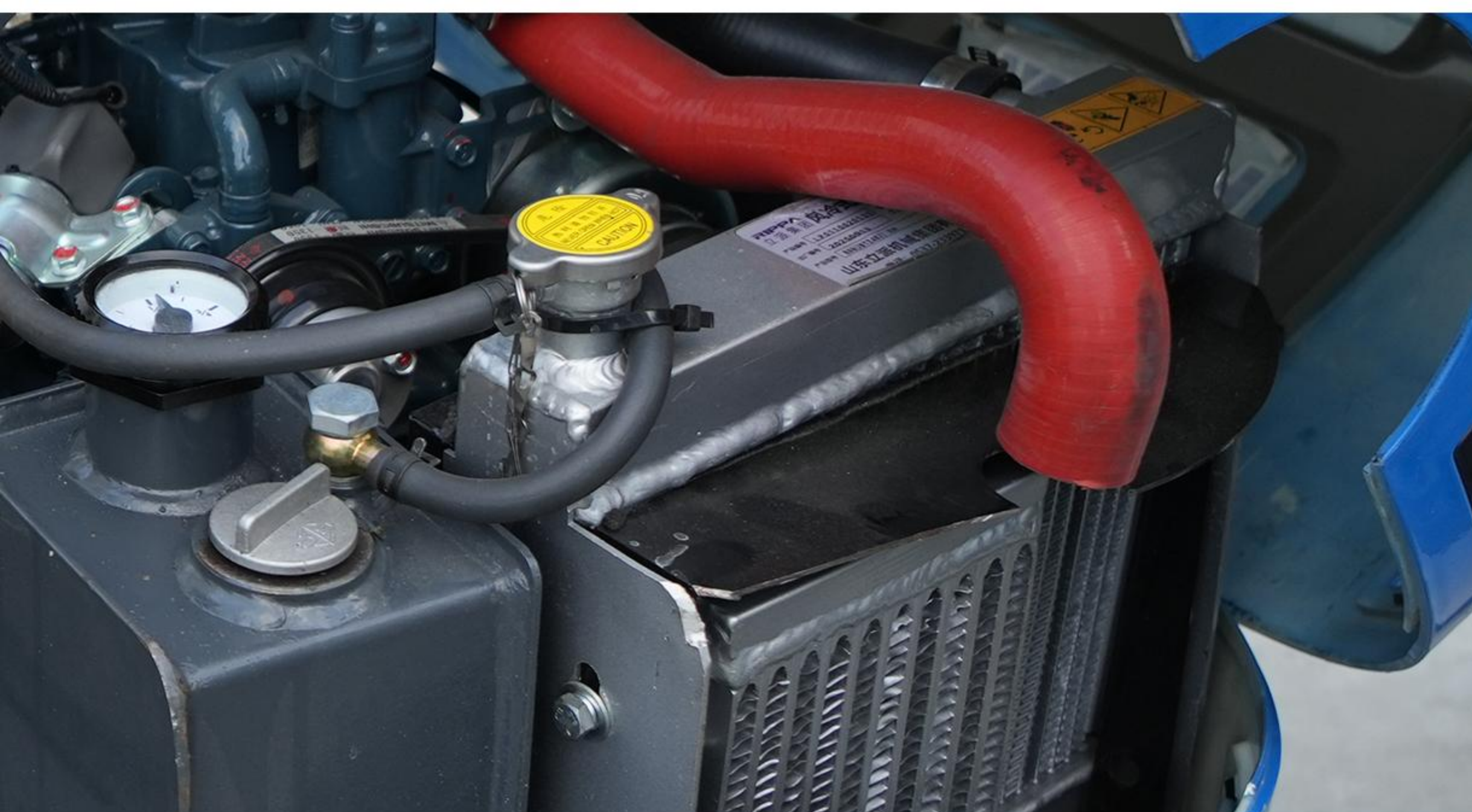
### Towing hook

There is a hook on both sides of the bulldozer blade.



### Rear-mounted boom cylinder

When scooping large stones or concrete pieces with a bucket, loading them onto a dump truck, or using an on-board breaker, you can work without worrying about damaging the boom cylinder.



### Water cooling

Higher heat dissipation efficiency and more precise and stable temperature control.



### LED Light

A low-heat, vibration-resistant LED light is included as standard.



### Comfortable Seats

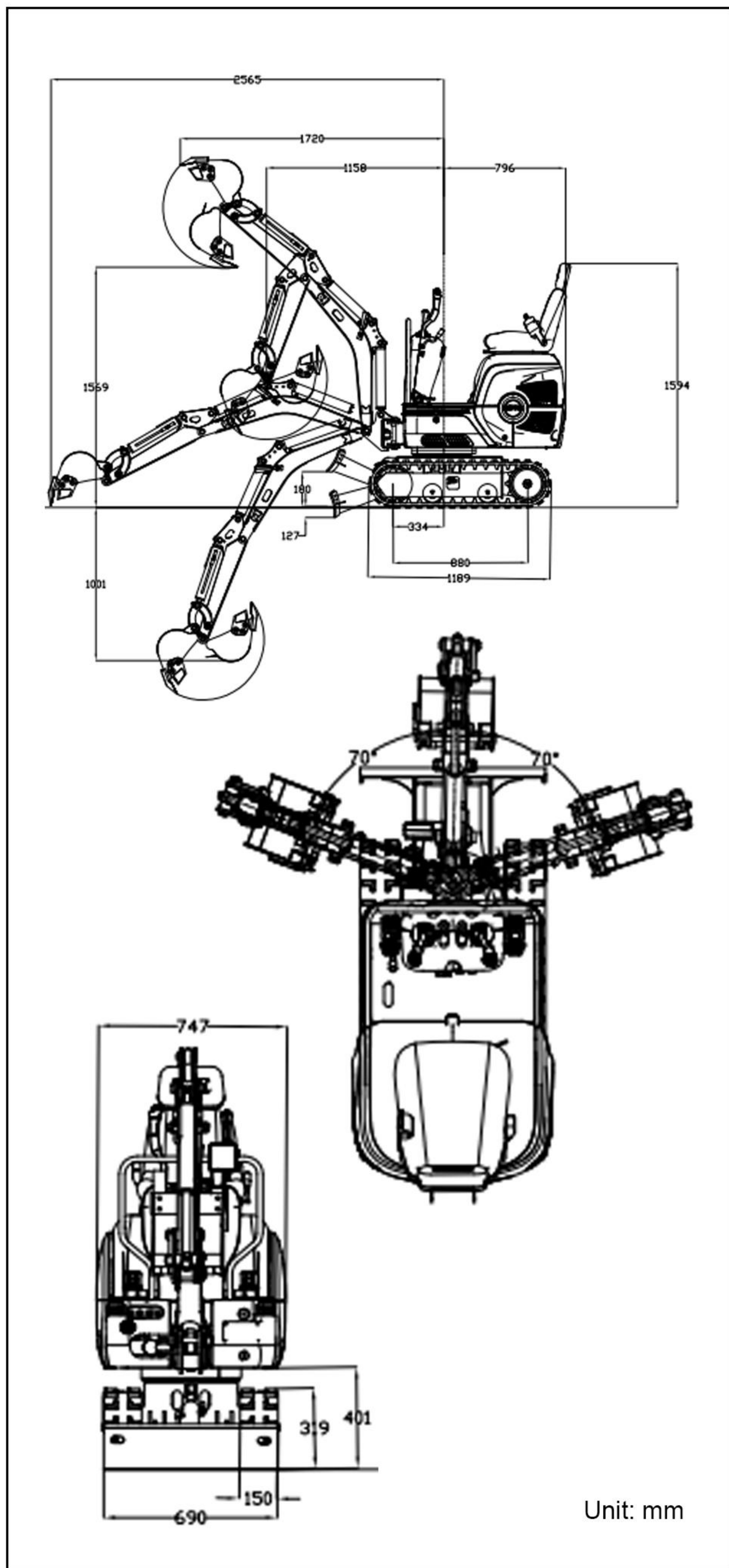
Equipped with seat belts, the seat is adjustable fore and aft, and has removable headrests.



### Storage box

Used for storing instruction manuals and tools.

## ■ SCOPE OF WORK



## ■ SPECIFICATION

MODEL		US	R06ECO
Basic parameters	Operating weight	1647lb	747kg
	Bucket capacity	0.494ft <sup>3</sup>	0.014m <sup>3</sup>
	Travel speed low/high	0-0.93mph	0-1.5km/h
	Gradeability	30%	30%
	Ground pressure	-	-
	Maximum digging force	2068lbf	9.2KN
	Maximum digging radius	101.1in	2565mm
	Maximum digging depth	39.4in	1001mm
	Maximum digging height	88.1in	2236mm
	Maximum dumping height	61.8in	1569mm
	Maximum deflection angle	70°	70°
	Track extension range	-	-
ENGINE	Engine brand	Kubota	Kubota
	Engine model	Z482	Z482
	Maximum horsepower	11hp	11.2PS
	Maximum power	8.2KW	8.2KW
	Maximum speed	3000rpm	3000rpm
	Displacement	0.13gal	0.479L
	Number of cylinders	2	2
	Cooling method	Water-cooled	Water-cooled
	Engine oil change amount	0.396gal	1.5L
	Fuel form	Diesel	Diesel
	Fuel grade	0/-10	0/-10
	Theoretical fuel consumption	0.8-1.2L/h	0.8-1.2L/h
	Body	Transport length	-
Transport width		29.4in	747
Transport height		62.8in	1594
Counterweight ground clearance		15.8in	401
Bucket width		11.8in	300
Boom length		70.9in	1800
Arm length		-	-
Bulldozer blade width		-	-

## ■ HYDRAULIC SYSTEM

Main pump type/model	-	Maximum set pressure (MPa)	18MPa
Main pump brand	-	Travel hydraulic motor type	-
Main pump maximum flow (L/min)	18L/min	Travel motor brand	-
Multi-way valve	8-way manual multi-way valve	Motor displacement (mL/r)	-
Multi-way valve brand	Taifeng	Slewing hydraulic motor type	-
Rated set pressure (Mpa)	17MPa	Displacement	-

- Please read the instruction manual carefully and operate the machine correctly.
- Always wear a seat belt when working. (ROPS specifications only)
- If you are using construction machinery with a mass of less than 3 tons, you must first complete the "Special Training for the Operation of Vehicle-Mounted Construction Machinery" course. If the machine's mass is 3 tons or more, you must complete the "Skills for Operating Vehicle-Mounted Construction Machinery" course.
- To prevent breakdowns and accidents, be sure to inspect your machinery regularly.
- Specific voluntary inspections must be conducted by an inspection company registered with the Minister of Health, Labor, and Welfare or the Director General of the Labor Standards Inspection Bureau.