

THE PERFECT BALANCE OF VERSATILITY AND MANEUVERABILITY

Delivering a combination of versatility, value and performance, the RB06 backhoe packs a dynamic punch. Built with functionality at the forefront, the RB06 is your next multipurpose MVP. This machine is perfectly sized to do a variety of jobs and is loaded up for major performance. With a swing boom excavator on one end and a wheel loader on the other, you can count on the RB06 to keep your worksite running like a welloiled machine and fill in the gaps that other machines leave behind.



COMFORT & CONVENIENCE EASY OPERATION

From its attractive styling and enhanced convenience to its powerful performance and ergonomic operation, the RB06 series delivers a whole new working experience.

Powerful engine

Small vibration, low noise, strong power and strong environmental adaptability make RB06 capable of handling various working environments.



Kubota engine
D1105
17.1kw/22.9hp
3000rpm



Stabilizing legs

During excavation, the outriggers will extend and compact the ground, which can prevent the machine from shaking or rolling over, greatly improving safety.

Cylinder foot pedal

The pedal uses a gas support rod. When the foot leaves the pedal, the pressure inside the gas spring will automatically push the piston rod back to its original position, taking up little space.



Suspension seat

It effectively isolates up to 90% of vertical vibration and impact, significantly reduces the pressure on the spine and waist, allows the operator to work for long periods of time without fatigue, and provides more comfortable operation. The seat can be rotated to facilitate forward and backward operation.



Power steering

The steering wheel uses an electric system to provide steering assistance to the driver. Only very little force is needed to turn the steering wheel. The driver can stay focused and work efficiently for longer periods of time, which directly improves production efficiency.



Pilot operating handle

All core controls (lifting, flipping, driving) are concentrated in one hand, which makes the action connection faster and significantly shortens the operation cycle time.



PERFORMANCE YOU CAN DEPEND ON

With its powerful engine, tough transmission and sturdy frame, the RB06 can handle the toughest municipal engineering and landscaping jobs.

A. Quick-change connectors

Attachment replacement time is shortened to less than 1 minute.



B. Large bucket

Large capacity buckets fill faster



C. Front and rear frames

The front and rear frames are connected by bearing hinges, which have strong load-bearing capacity and more stable turning and twisting.



D. Off-road tires

Unmatched reliability, durability and efficiency on unpaved roads



E. Electronic display screen

Can display the machine's operating status, power/oil/temperature and other parameters



F. Regulating valve

The angle of the steering wheel can be adjusted to make the driver more comfortable to operate



N. Excavator operating console

The excavation work can be carried out by rotating the table and chair. The operating table has front and rear function switching switches, left and right outrigger operating levers, etc.



G. LED work light

LED work lights provide optimal illumination for night work.



H. Rearview mirror

It provides rear visibility when moving, turning or reversing to avoid collisions with objects behind.



I. Guardrail

Cylinder guardrail can protect the safety of the driver



M. Drag hook

It can be used for towing operations such as rescue towing, and can also be used as a safe fixed point during special maintenance operations.



L. Inspection port

Convenient for maintenance and inspection of the machine



K. Four-post ceiling

Complies with TOPS rollover protective structure and ROPS rollover protective structure standards

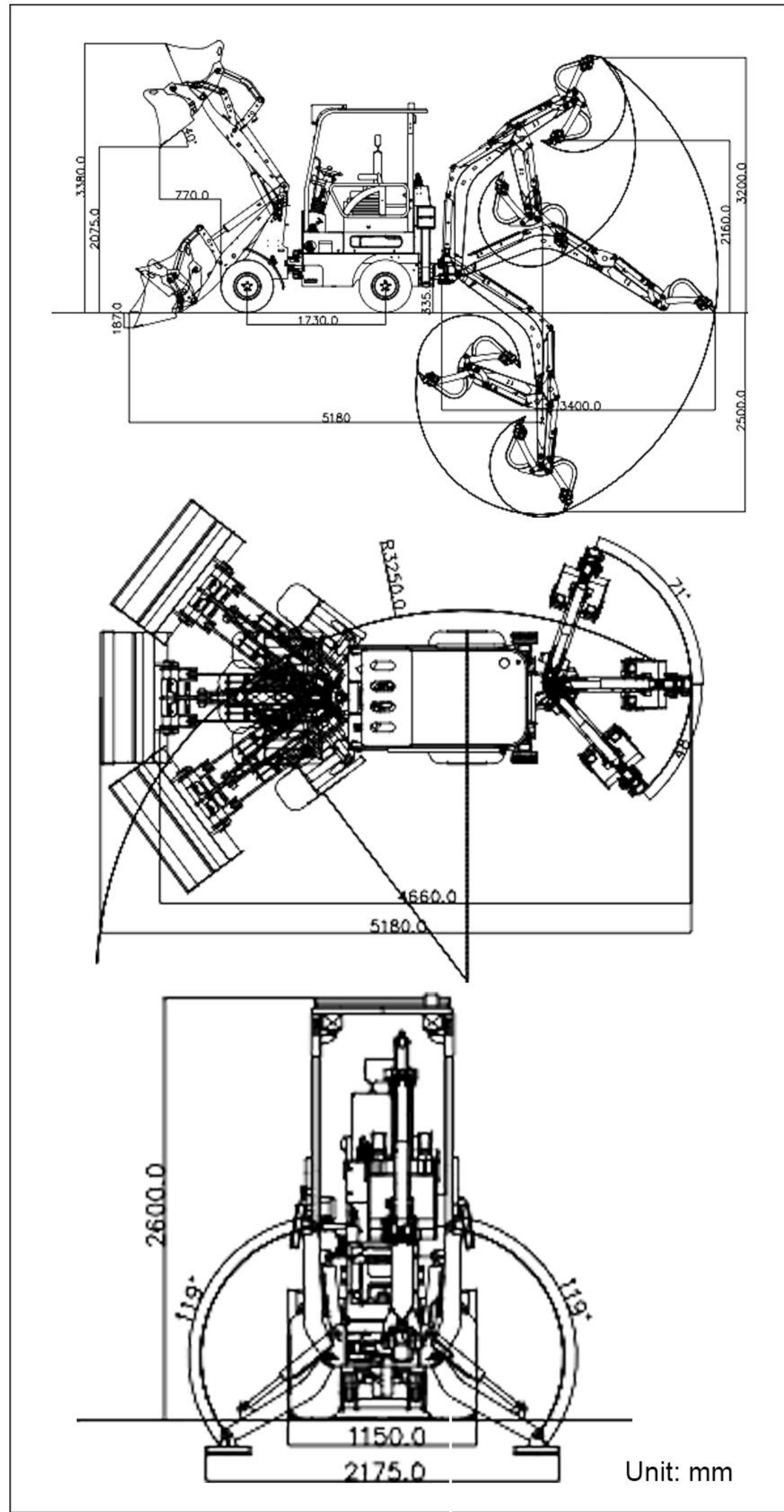


J. Fire extinguisher

Used to extinguish initial fires caused by common vehicle causes



■ SCOPE OF WORK



■ HYDRAULIC SYSTEM

Travel Pump Type/Model	Closed-circuit plunger pump V40D32E1M
Travel Pump Brand	Hengli
Travel Pump Maximum Flow (L/min)	96
Working Pump Type/Model	Gear pump PGP5114GLP
Working Pump Brand	Tianjin Walking
Working Pump Maximum Flow (L/min)	42
Loading End - Multi-way Valve	Quadruple multi-way valve
Rated Set Pressure (MPa)	18MPa
Maximum Set Pressure (MPa)	20MPa
Excavating End - Multi-way Valve	Eight-way multi-way valve
Rated Set Pressure (MPa)	18MPa
Maximum Set Pressure (MPa)	20MPa
Travel Hydraulic Motor Type	Deston BM5-315
Travel Motor Brand	Deston
Motor Displacement	315

■ SPECIFICATION

	Model	Unit	RB06
Basic parameters	Operating Weight	lb(kg)	4850 (2200)
	Bucket Capacity	ft ³ (m ³)	8.1 (0.23)
	Safety Load Capacity	lb(kg)	661.4 (300)
	Maximum Load Capacity	lb(kg)	1322.8 (600)
	Maximum Dumping Height	in(mm)	81.2 (2060)
	Maximum Loading Height	in(mm)	133.2 (3380)
	Maximum Dumping Distance	in(mm)	25.6 (650)
	Bucket Capacity	ft ³ (m ³)	1.3 (0.036)
	Maximum Digging Force	kN	15.8
	Maximum Digging Radius	in(mm)	134 (3400)
	Maximum Digging Depth	in(mm)	98.5 (2500)
	Maximum Digging Height	in(mm)	126.1 (3200)
	Maximum Dumping Height	in(mm)	85.1 (2160)
	Maximum Deflection Angle	°	119
	Travel Speed (Low/High Speed)	mph(km/h)	0-5 (0-8)
	Gradability	%	25%
	Ground Pressure	psi(kPa)	15.6 (107.64)
	Turning Radius	in(mm)	94.6 (2400)
	Tread	in(mm)	33.1 (840)
	Wheelbase	in(mm)	68.2 (1730)
Engine	Minimum Ground Clearance	in(mm)	6.1 (155)
	Engine Brand		kubota
	Engine Model		D1105
	Maximum Horsepower	ps(hp)	23.3 (22.9)
	Maximum Power	kw	17.1
	Maximum Speed	rpm	3000
	Displacement	gal(L)	0.3 (1.123)
	Number of Cylinders		3
	Cooling Method		Water cooling
	Engine Oil Change Quantity	gal(L)	1.1 (4)
Body	Fuel Type		diesel fuel
	Fuel Grade		No. 0/-10
	Theoretical Fuel Consumption	(L/h)	1.3-1.5
	Transport Length with Bucket	in(mm)	204.1 (5180)
	Transport Length without Bucket	in(mm)	180.8 (4590)
	Transport Width	in(mm)	45.3 (1150)
	Transport Height	in(mm)	102.4 (2600)
	Loading End - Bucket Width	in(mm)	45.3 (1150)
	Digging End - Bucket Width	in(mm)	15.8 (400)
	Digging End - Boom Length	in(mm)	70.1 (1780)
Digging End - Arm Length	in(mm)	37 (940)	

- Please read the instruction manual carefully and use the machine correctly.
- Always wear a seat belt when working. (ROPS specifications only)
- If you are operating construction machinery with a machine mass of less than 3 tons, you must take the "Special Training for Vehicle-Mounted Construction Machinery Operation" course beforehand. If the machine mass is 3 tons or more, you must take the "Vehicle-Mounted Construction Machinery Operation Skills Course".
- To prevent breakdowns and accidents, be sure to inspect the machinery regularly.
- Specific voluntary inspections are required to be carried out by an inspection company registered with the Minister of Health, Labor and Welfare or the Director-General of the Labor Standards Inspection Bureau.